

# HMA121 Electronic Siren, Buzzer, Claxon & Bell

**Applications and users that have traditionally demanded conventional electromechanical claxons, sirens, buzzers and bells can now choose the next generation alternative.**

The technology employed in the Hootronic range features the latest in amplifier and digital to analogue conversion technology. The E2S Hootronic series of products faithfully reproduce the sounds made by legacy electro-mechanical signalling devices but in a modern, reliable and cost effective way.

With output levels of up to 124dB(A) at 1 metre the HMA121 surpasses legacy electro-mechanical devices in performance and effectiveness, it is also continuously rated, requires zero maintenance and the signal quality will not degrade with age.

## Features

The products in the Hootronic range have 5 user selectable 'traditional' sounds including:

- Tone 1 : Industrial Claxon
- Tone 2 : High Frequency Mechanical Siren
- Tone 3 : Medium Frequency Mechanical Siren
- Tone 4 : Electro Mechanical Buzzer
- Tone 5 : Mechanical Bell

Each of these sounds have two additional, remotely selectable, alarm stages.

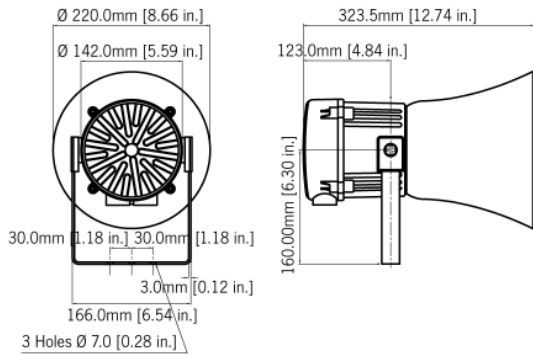
Remote switch generates genuine 'tail off' to sound when alarm is terminated.

- Automatic synchronisation on multi-sounder system.
- Continuously rated.
- Large termination area.
- Stainless steel fixings.
- Ratchet adjustable stainless steel 'U' bracket for 360° positioning.
- Duplicate cable terminations (in & out for daisy-chain installations).
- Tropicalisation available on request.

## Approvals

EAC: RU D-GB.GA05.B.12595-20





## Specification

Nominal output: 124dB(A) @ 1m +/- 3dB [115dB(A) @ 10ft/3m]

No. of tones: 5

No. of stages: 3

Volume control: Max. 124dB(A); Min. 115dB(A) approx.

Effective range: 300m/984ft @ 1KHz

Voltages DC: 24V dc (18-30V dc);

Voltages AC: 115V ac; 230V ac

Ingress protection: IP66 & IP67 (Third party tested)

Housing material: High impact UL94 V0 & 5VA FR ABS

Colour: Grey (RAL7038)

Cable entries: 2 x M20 supplied with 1 blanking plug

Terminals: 0.5 to 4.0mm<sup>2</sup> cables.

Operating temp: -25 to +55°C [-13° to +131°F]

Storage temp: -40 to +70°C [-40° to +158°F]

Relative humidity: 90% at 20°C [68°F]

Weight: DC: 2.50kg/5.5lbs AC:3.00kg/6.6lbs

## Part Codes

Version	Part code:
24V dc	HMA121DC24G
115V ac	HMA121AC115G
230V ac	HMA121AC230G

## Current Consumption

Product Version:	Nominal Voltage:	Voltage Range:	Current Consumption:
DC024	24Vdccc	18-30Vdc	375mA
AC115	115Vac 50/60Hz	103.5-126.5Vac	160mA
AC230	230Vac 50/60Hz	207-253Vac	75mA

### Tone table

<b>S 1</b>	<b>Description</b>	<b>S 2</b>	<b>S 3</b>
T 1	Industrial Claxon	T 3	T 5
T 2	High Frequency Mechanical Siren	T 1	T 5
T 3	Medium Frequency Mechanical Siren	T 1	T 5
T 4	Electro Mechanical Buzzer	T 2	T 5
T 5	Mechanical Bell	T 1	T 2